

RHINOS



Carson G., age 5

Zooworks

One day in the zoo, twin rhino sisters were playing. The zookeeper came with a new rhino. The twins were confused when he left the rhino with them. They stared at each other for a long time.

One sister said, "Let's go back to our beds."

"Yeah," the other replied.

The new rhino said, "Let's escape."

"Never!" replied the twins.

"Suit yourself." She rammed into the wall repeatedly. Finally, she broke through. She ran. People were screaming. She ran until they could not see her anymore. The twins stayed put. Rhinos prefer to live alone (or with their twin).

By Amelia I., age 11



Nick K., age 8



Samantha M., age 11



Grant L., age 7

Triceratops has a cousin, you know.

What is it called?

A rhino!

It has two horns, instead of three

It can run faster than you and me.

He is heavier than the biggest ox

Their feet are far too big for socks.

I love rhinos, don't you?

Ainsley S., age 10



Nora K., age 9



Christopher, age 6



Annabelle B., age 13

The savanna is where the rhinos reside.

They are so big it is hard for them to hide.

Rhinos love to eat leaves and grass

And their horns are made of ivory not brass.

Rhinos are big and gray

And they stay in the shade throughout the day.

That is all I have to say

And I hope rhinos don't go extinct and are here to stay.

Zach M., age 10



Visit us at
rangerrick.org

for
 even more
 fun!

Look for Activity Pages Online!

Visit rangerrick.org/ZBactivities to find fun rhinos activities to print or download.

Plus at rangerrick.org you'll find:

- Interactive games
- 50 pictures, poems and stories from kids like you
- Animal videos

Would you like to see your work published in **Ranger Rick Zoobooks**?

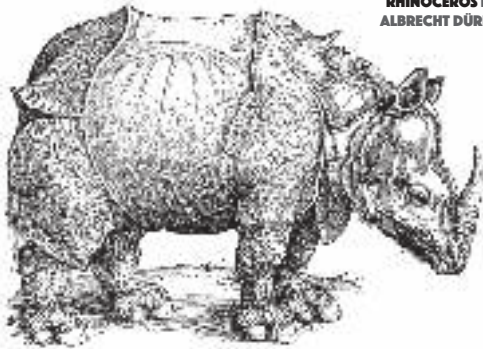
Here's what to do: Go to www.rangerrick.org/zooworks for rules and deadlines.



We want to see your original poem, story, or drawing by April 25, 2023 for "Hummingbirds."

ARMORED RHINOS

RHINOCEROS BY ALBRECHT DÜRER

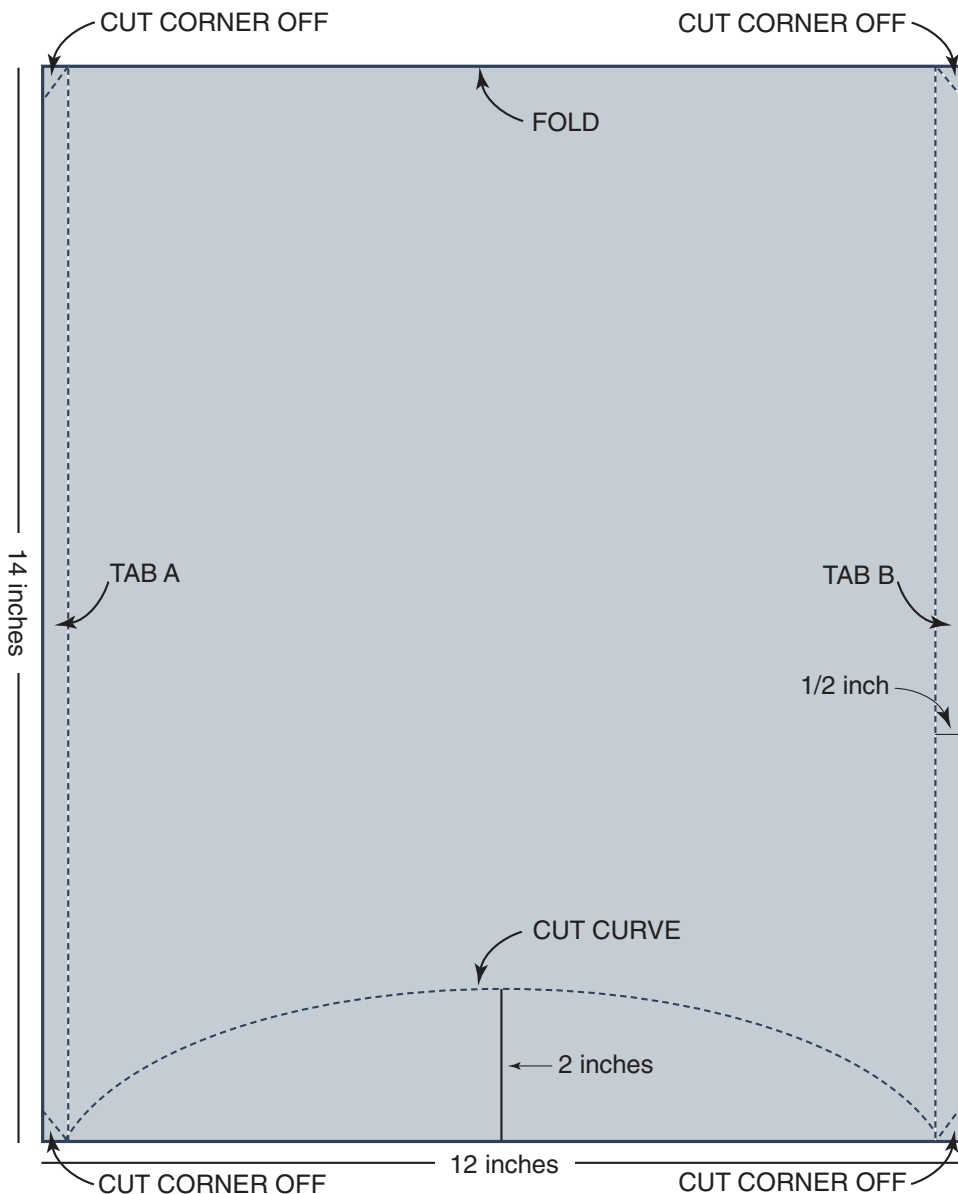


For centuries, people have looked at the thick, folded skin of rhinos and thought it looked like armor. In fact, the first descriptions of these magnificent animals to reach Europe said that they were covered in a thick shell or encased in hard plates.

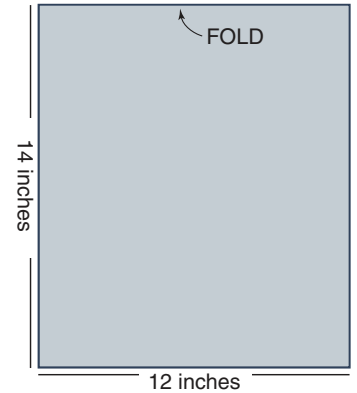
A famous German artist named Albrecht Dürer heard about these fantastic “armored” animals. He created a detailed woodcut called *Rhinoceros*. What does his artwork remind you of? Imagine living in Europe in 1515 and seeing this artwork. What would you think?

Compare Dürer’s *Rhinoceros* with the photographs of real rhinos in this book. How are they alike? How are they different? In your opinion, how might his woodcut have looked if he had really seen a rhino? What advice would you have given Dürer about his artwork?

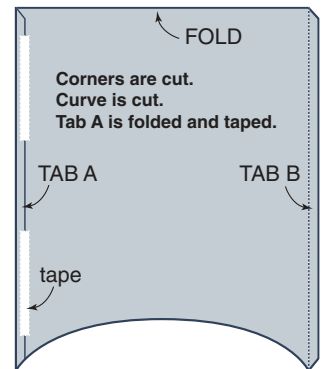
Of course, we now know that rhino skin actually has folds in it. These folds make the animal look like it is wearing plates of armor. We also know that, although the skin is tough, it can easily be scratched.



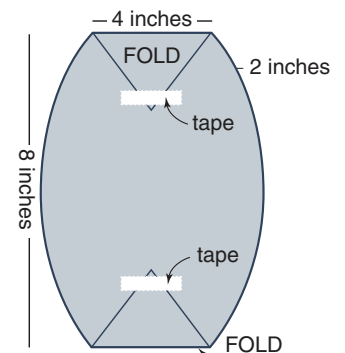
PATTERN



SKETCH A

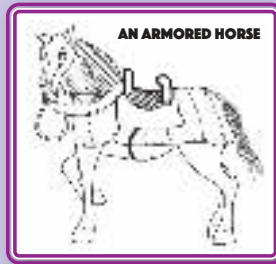


SKETCH B



SKETCH C

Perhaps one reason Dürer made his rhino look like it was wearing armor is that armor was common back in the 1500's. The armor worn by knights in Dürer's time was made of plates of iron or leather. As the drawing on the right shows, there was even armor for horses. Compare the armored horse with Dürer's "armored" rhino. Why do you think war-horses sometimes wore armor? What would it be like to see an armored horse charging with a knight on its back?



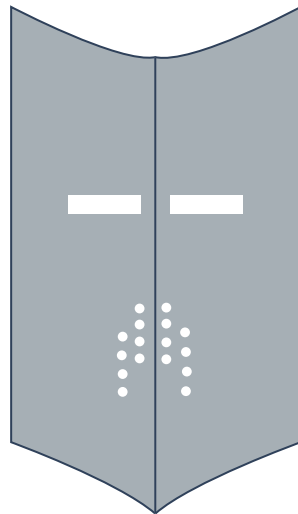
Now, make your own fantastic drawing of an armored animal. Be creative. Use your imagination. Make a quick sketch on scratch paper, then create your final drawing.

When you're finished with your drawing, make yourself a helmet styled after armor made in the 1300's. Follow the directions below.

MAKE AN ARMORED HELMET

TO MAKE A FULL-SIZED HELMET THAT FITS OVER YOUR HEAD, YOU WILL

NEED: a pencil, a ruler, invisible tape, and a 12 x 28 inch piece of paper. We used a brown paper bag.




Fold the paper in half to make a 12 x 14 inch rectangle with the fold at the top. **See Sketch A.**

Then, look at the pattern on page b. Notice tabs A and B along the sides of the helmet and the curved line at the bottom edge. Draw tabs A and B and the curved line. Cut off the corners and curve as marked. Then, fold tabs A and B back and tape them down like an envelope. **See Sketch B.**


Now follow these steps to make the top of your helmet flat. **Look at Sketch C to see what the top of your helmet will look like.** Stick your hand inside your helmet all the way to the folded end.

Who Am I?


Match the rhino faces with their names.
See pages 2 and 3 for help.




A _____




B _____



C _____



D _____



E _____

Javan
Sumatran
White
Greater
One-horned
Black

Answers: A. White B. Greater One-horned C. Sumatran D. Javan E. Black

Now open your hand so that the folded end becomes flat. (The two corners will stick up.) Try to make it 6 inches across in the middle. Then, fold one top corner down toward the center about 2 inches. Do the same with the other top corner. Tape the corners in place.

See the sketch of the helmet to the left for the position of the eye slits and air holes. But, be sure to try on your helmet to check the position of the eye slits. After removing the helmet, cut eye slits. Poke air holes where shown. (We used a hole punch.)

RHINO MAGIC

Match each clue with a Rhino Word in the list. Write the number of the word in the correct box in the Rhino Square below. If all your matches are correct, then you will have created a Magic Square. In other

Clues:

- A. Probably the heaviest type of rhino.
- B. Type of rhino with the largest babies.
- C. Type of female rhino with no horns.
- D. A close relative of the rhino.
- E. What rhino horns are made of.
- F. One way a rhino uses its horn.
- G. Where the very first rhinos lived.
- H. The only type of rhino that has hair on its body.
- I. Type of rhino famous for its terrible eyesight.

words, all the numbers in the rows and columns of the Rhino Square will add up to 15. If you need help making a match, look for the answers in this Ranger Rick Zoobooks® issue.

List:

- 1. Sumatran rhino
- 2. Javan rhino
- 3. horse
- 4. white rhino
- 5. keratin
- 6. black rhino
- 7. as a plow
- 8. North America
- 9. greater one-horned rhino



A	B	C
D	E	F
G	H	I

Dürer's Magic Square

The first magic square was probably figured out thousands of years ago. In 1541, the German artist, Albrecht Dürer, made this magic square. What's the special number found in this square?

16	3	2	13
5	10	11	8
9	6	7	12
4	15	14	1

Hint: Even the corners add up to this number.

Read more about Dürer on page b.

Color the Rhino



Answers **Rhino Magic:**

A	4	B	9	C	2
D	3	E	5	F	7
G	8	H	1	I	6

Dürer's Magic Square:

The sum of the rows, columns, diagonals, and corners is 34.